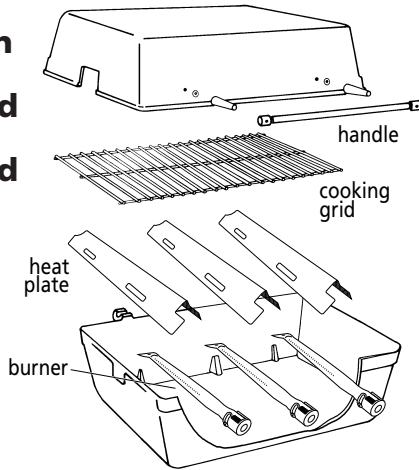


# Advertising Art

*Make your old grill cook like  
new with*

## Gas Grill Replacement Parts

- Burners in cast iron and stainless steel
- Cooking grids in chrome or porcelain coated wire and porcelain coated cast iron
- Rock grates
- Valves
- Accessories



—Dealer Imprint—

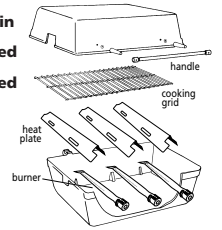
2 column broadsheet (6 column format)



*Make your old grill cook like  
new with*

## Gas Grill Replacement Parts

- Burners in cast iron and stainless steel
- Cooking grids in chrome or porcelain coated wire and porcelain coated cast iron
- Rock grates
- Valves
- Accessories



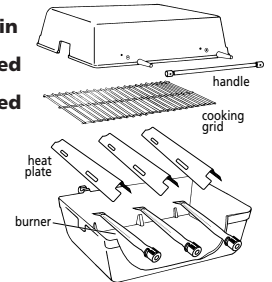
—Dealer Imprint—

1 column newspaper  
(6 column format)

*Make your old grill cook like  
new with*

## Gas Grill Replacement Parts

- Burners in cast iron and stainless steel
- Cooking grids in chrome or porcelain coated wire and porcelain coated cast iron
- Rock grates
- Valves
- Accessories



—Dealer Imprint—

2 column broadsheet (10 column format) or  
1 column tabloid (4 column format)



*Independence Day Sale!*

—Dates—

## Gas Grill Replacement Parts

Get your gas BBQ ready for the 4th with  
Music City Metals parts!

**Burners • Grids • Grates • Valves • Accessories**  
All major brands

—Dealer Imprint—

2 column Newspaper (6 column format)



*Memorial Day Sale!*

—Dates—

## Gas Grill Replacement Parts

Get your gas BBQ ready for summer  
with Music City Metals parts!

**Burners • Grids • Grates  
Valves • Accessories**

All major brands.

—Dealer Imprint—

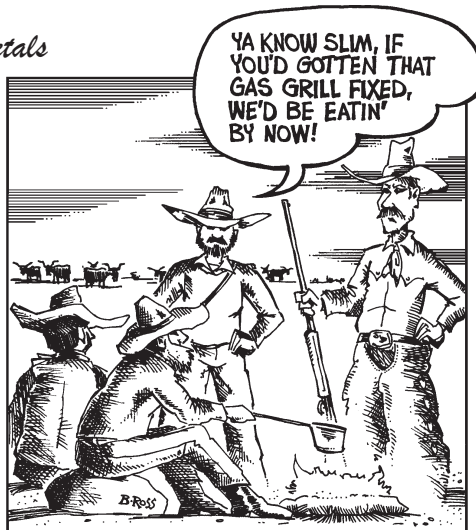
2 column broadsheet (10 column format) or  
1 column tabloid (4 column format)

*Get your grill fixed before the cows come home with*

## Gas Grill Replacement Parts

*by Music City Metals*

- Burners
- Cooking Grids
- Rock Grates
- Valves
- Accessories



**Top quality replacement parts for all major brands of gas barbecues.**

—Dealer Imprint—

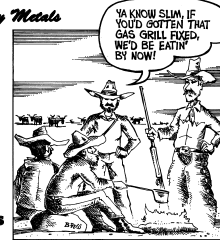
2 column Newspaper (6 column format)

*Get your grill fixed before the cows come home with*

## Gas Grill Replacement Parts

*by Music City Metals*

- Burners
- Cooking Grids
- Rock Grates
- Valves
- Accessories



**Top quality replacement parts for all major brands of gas barbecues.**

—Dealer Imprint—

1 column Newspaper (6 column format)

*Sale!*

*Sale!*

*Sale!*

*Sale!*

*Sale!*

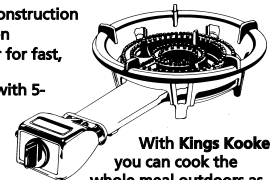
*Sale!*

*Sale!*

*Sale!*

## Kings Kooker Portable Gas Burner

- Sturdy cast iron construction
- Automatic ignition
- Multi-port burner for fast, even heat
- Easy LP hook-up with 5-foot hose and regulator (included)



With Kings Kooker you can cook the whole meal outdoors as easily as in your kitchen!

—Dealer Imprint—

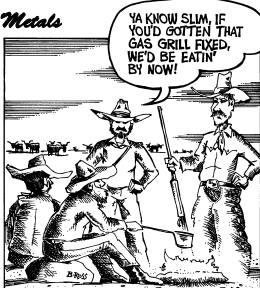
2 column Newspaper (10 column format) or 1 column Tabloid (4 column format)

*Get your grill fixed before the cows come home with*

## Gas Grill Replacement Parts

*by Music City Metals*

- Burners
- Cooking Grids
- Rock Grates
- Valves
- Accessories



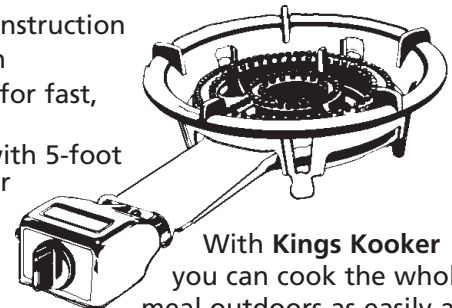
**Top quality replacement parts for all major brands of gas barbecues.**

—Dealer Imprint—

2 column Newspaper (10 column format) or 1 column Tabloid (4 column format)

## Kings Kooker Portable Gas Burner

- Sturdy cast iron construction
- Automatic ignition
- Multi-port burner for fast, even heat
- Easy LP hook-up with 5-foot hose and regulator (included)

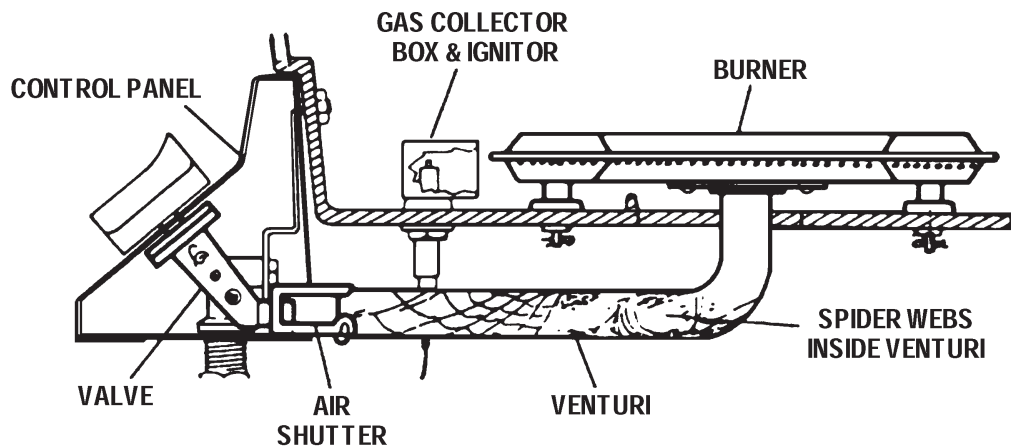


With Kings Kooker you can cook the whole meal outdoors as easily as in your kitchen!

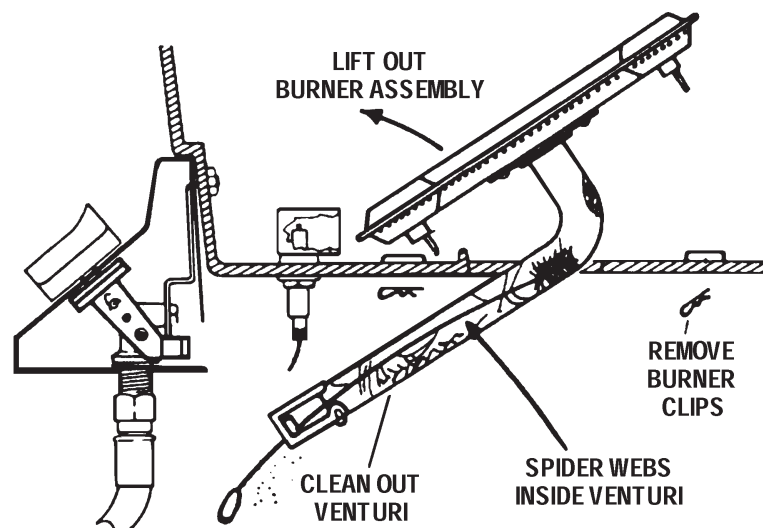
—Dealer Imprint—

2 column Newspaper (6 column format)

# SPIDER ALERT!



***If you notice that your grill is getting hard to light or that the flame isn't as strong as it should be, take the time to check and clean the venturis.***



In some areas of the country, spiders or small insects have been known to create "flashback" problems. The spiders spin webs, build nests, and lay eggs in the grill's venturi tube(s) obstructing the flow of gas to the burner. The backed-up gas can ignite in the venturi behind the control panel. This is known as a flashback, and it can damage your grill and even cause injury.

To prevent flashbacks and ensure good performance the burner and venturi assembly should be removed from the grill and cleaned before use whenever the grill has been idle for an extended period.